

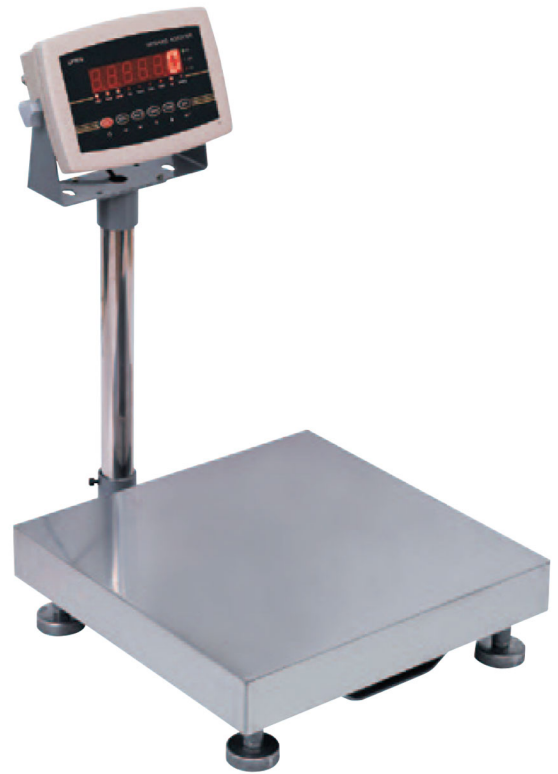
# LP7610

## Stamping Bench Scales



### Feature:

- Aluminum or Stainless steel single point load cell
- Frame: Stainless steel or Mild steel
- Cover: Stainless steel
- Rectangular pole or 38mm diameter round pole
- Indicator function: total, tare, zero, hold, etc
- Resolution: n=3000 Option:n=6000,10000,15000

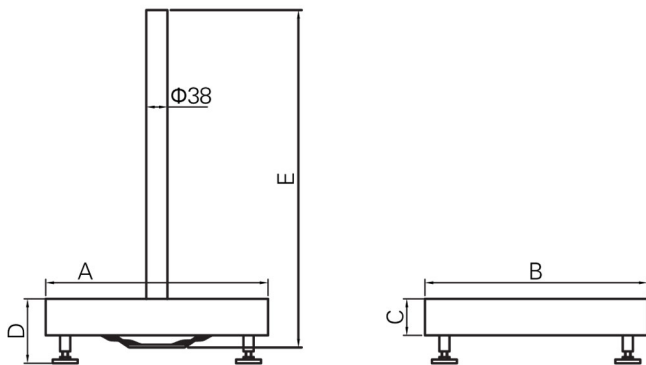


### Options:////////////////////

- OIML load cell
- OIML indicator LP7510
- LP7516 or LP7552 indicator

### Specifications:////////////////////

- Unit: mm



LP7510



LP7516



LP7552

### Configuration Table:////////////////////

Capacity	A	B	C	D	E	Weight(kg)	Ctn Size
30-150kg	250	250	65	110	300	12	625*455*170
30-150kg	300	300	65	110	300	13	625*455*170
30-150kg	300	400	65	110	400	15	625*555*170
30-150kg	400	400	65	110	600	19	720*540*170
30-150kg	400	500	65	110	600	23	820*540*170