

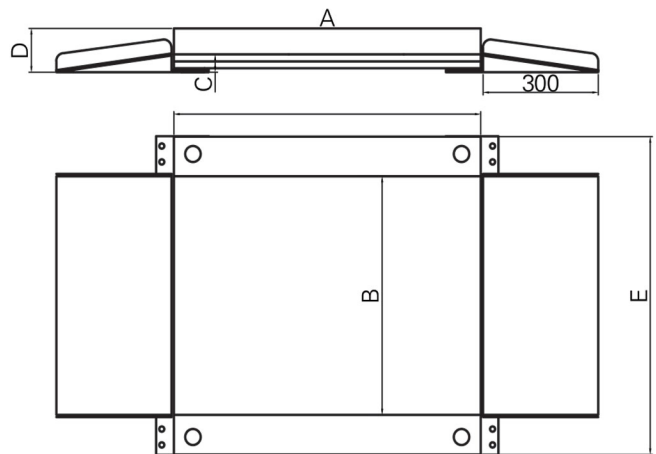
LP7622A

Low Profile Floor Scales



Feature:

- Low profile 35~45mm height
- Integral side and end guards protect the load cells from accidental side-impact damage
- Ramps are available for lifting the load onto and off scales easily
- Resolution: n=3000



Options:////////////////////

- Moveable Pole, customs size
- OIML or Ntep Loadcell
- OIML indicator LP7510
- indicator LP7516 or LP7552

Specifications:////////////////////

- Unit: mm



LP7510



LP7516



LP7552

Configuration Table:////////////////////

Capacity	A	B	C	D	E	Weight(kg)	Ctn Size(m)
1-3t	800	800	35-45	110	1000	150	0.85*1*0.08
1-3t	1000	1000	35-45	110	1200	170	1.05*1.2*0.08
1-3t	1200	1200	35-45	110	1400	197	1.25*1.4*0.08