

LP7655

Crane Scale

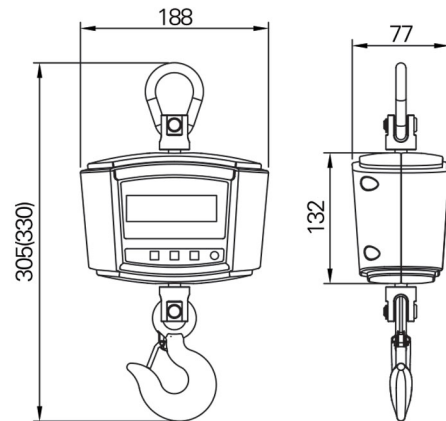


Feature:

- Plastic enclosure
- Alloy steel shackle
- Mini Portable Design.

Function:

- Zero
- Hold
- Low voltage auto power-off
- Battery supervision
- Overload alarm
- Kg/lb/N conversion



Specifications: //

- Accuracy Class: OIML III
- Tare Range: 100% F.S
- Zero Range: 2% F.S
- Safe Overload: 150% F.s
- Ultimate Overload: 300% F.S
- Overload Alarm: 100%F.S+9e
- Battery: LR6 AAx4
- Battery life: >80h
- Temperature range: -10°C ~40°C

Technical info: //

- 5 Digit LCD display, Height 30.5 mm
- Capacity: 150kg/300kg/500kg/1000kg

Configuration Table: //

Item	Model	Max. cap(kg)	Div(kg)	Size:W*L*H(mm)	Weight(kg)
LP7655-015	OCS-S1-015	150	0.05	188*77*305	1.4
LP7655-030	OCS-S1-030	300	0.1	188*77*305	1.4
LP7655-050	OCS-S1-050	500	0.2	188*77*305	1.4
LP7655-1	OCS-S1-1	1000	0.5	188*77*330	1.6