

LP7660

Axle Scale

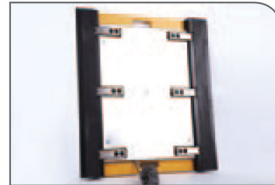
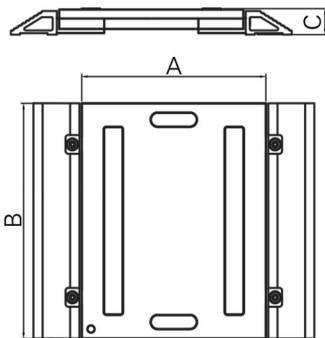
Feature:

- Aluminum alloy stable hand box in luxury outlook.
- High-definition LCD backlit dot matrix display
- With High speed Micro-Dot-Matrix Printer
- Standby working 50 hours battery with auto switch off function
- The function to discriminate overload automatically
- It could store the inspection records for over than 1400
- It can connect with 1/2/3/4 pads
- Axle mode and percentage mode
- Water-proof keyboard
- Joint-axis compensation, speed compensation function in dynamic mode for option.
- In Dynamic mode, there are two types for options:
High Accuracy Dynamic Mode and
Normal Accuracy Dynamic Mode



Specifications:////////////////////

• Unit: mm



LP7651



LP7650

Configuration Table:////////////////////

Model	Size(A•B•C)	Capacity (double pads for one axle)	Description(each pad)
LP7660	350*350*35	1000kg/2000kg/3000kg	• 4pcs LP7110H load cells • 10m cable • Capcaty: 500kg/1000kg/1500kg
	400*500*56.5	3000kg/5000kg/6000kg/10000kg	• 4pcs LP7110H load cells • 10m cable • Capcaty: 1500kg/2500kg/3000kg/5000kg
	450*700*56.5	10000kg/20000kg/30000kg	• 6pcs LP7110H load cells • 10m cable • Capcaty: 5000kg/10000kg/15000kg
	500*900*56.5	20000kg/30000kg/40000kg	• 8pcs LP7110H load cells • 10m cable • Capcaty: 10000kg/15000kg/20000kg